

## LED Light Source LED 光源裝置

# LA-HDF100NA

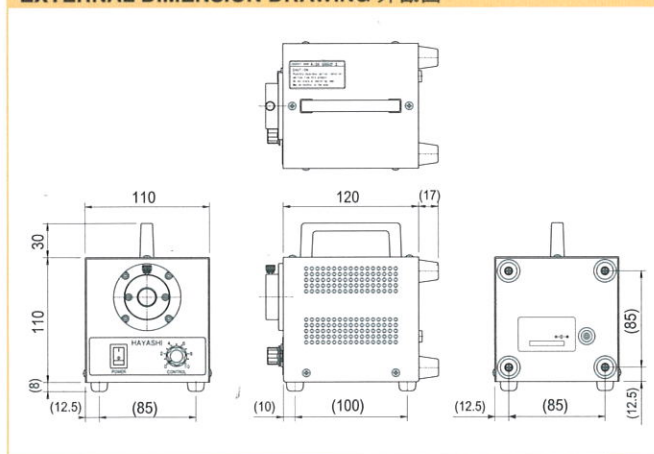
LED light source of light guide insertion type that investigated the space-saving and cost. Vertical is ok! It is fanless LED light source, and a new appearance to the microscope LED lighting series!!

節省空間和成本之光導插入式光源，垂直橫放也可以，無需風扇散熱，用於顯微鏡之照明

### Features 特長

- Space-saving design that can be both horizontal and vertical.
- Light intensity contains 70W, but the power consumption is only 16W
- Long lifetime (15 times of halogen lamp)
- Easy to carry with the handle.
- Fanless, very quiet.
- It is idea for microscopic dust, vibration test match, and natural cooling design.
- DC24V input type that can be connected to the battery.
- 節省空間設計，橫直放置也可以
- 光強達75W，耗電量只需16W
- 壽命長(鹵素燈胆之15倍使用壽命)
- 小巧輕盈，方便使用
- 無需風扇散熱，靜
- 最佳用於防塵顯微鏡及振重試配合自然冷卻設計
- 以DC24V輸入電源

### EXTERNAL DIMENSION DRAWING 外觀圖



### Specifications 規格

#### Specification of LED Light Source LED 光源裝置規格

Input voltage 輸入電壓	DC24V, 1A
Power consumption 耗電量	16W
Light intensity adjustment 光亮調節	0~100% 0~260,000lx※
LED lifetime 壽命	30,000 (H) 小時
Condition 使用環境條件	0~40 °C/20~80%RH (Non-moisture 無結露)
Dimensions 外形尺寸	W110XH110XD120mm (Exposed item not include 凸起部位除外)
Weight 重量	1.7 kg

※ Fiber Φ5mm, Length 500mm from light out 15mm side of intensity.  
光纖Φ5mm,長度500mm從投光端15mm位置的亮度

#### Specification of subsidiary AC adaptor 附件變壓器規格

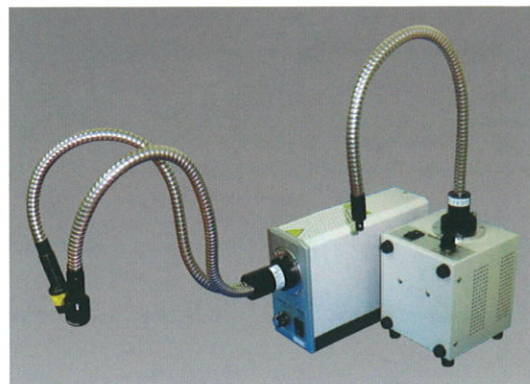
Power supply 額定輸入電壓	AC 100-240V, 50/60Hz, 0.6A
Output voltage 額定輸出電壓	DC 24V, 1A
Condition 使用環境條件	0~40 °C/20~80%RH (Non-moisture 無結露)
Dimensions 外形尺寸	W44XH28XD96mm (Exposed item not include 凸起部位除外)
Weight 重量	130g



Combination example with stereomicroscope  
連結顯微鏡範例



Compare with LA-HDF108AS  
跟產品LA-HDF108AS之比較



Option  
顧客自選

