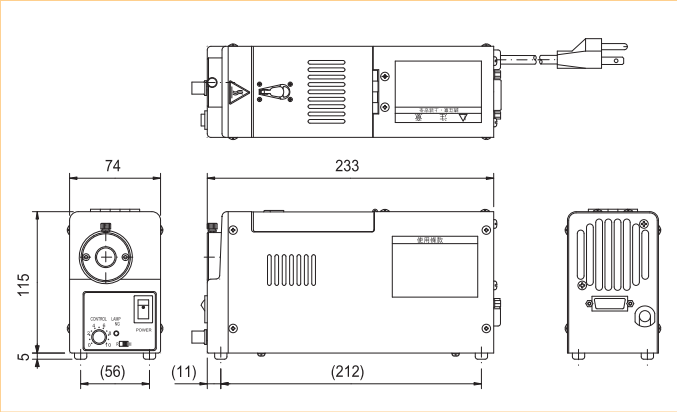


LA-100USW

RoHS

Input power allowed AC 100V~240V
輸入電壓可對應 AC 100V~240V

EXTERNAL DIMENSION DRAWING 外觀圖



Remote Control Functions, Compact, Multi Use 帶有程控功能的小型化·多用途

Features 特長

LA-100USW is an excellent light source for image processing. It is compact and light weight. This DC lighting device has multiple functions and standard features that support diverse lighting requirements. Input power allowed AC 100V~240V world standard. LA-100USW is a powerful light source with lamp on/off function, lamp indicator, light intensity adjustment and can use remote control. It also has special features of 8 bit digital circuit (option) and light intensity digital control.

LA-100USW為最適合圖像處理儀器的具有小型化、輕量化、備有多種標準功能等特色，可用於多種使用目的的直流型光源裝置。AC100V~240V的輸入電壓可對應全球規格。還具備程控功能，可利用外部控制進行燈泡的ON / OFF、燈泡燒斷的檢測、光亮調節。而且與8 bit D / A轉換器相連接，對光亮調節可進行數字程控。

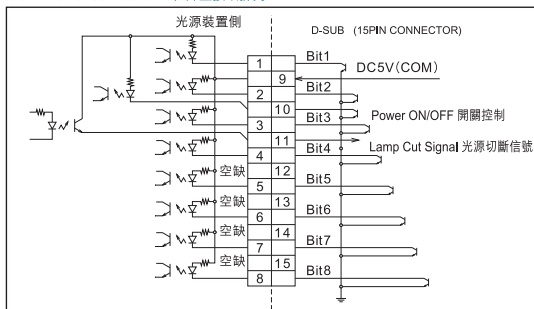
Main Purposes 主要用途

- Lighting source for image processor machine
- Lighting source for microscope
- Lighting source for scientific research
- 圖像處理儀器的照明
- 顯微鏡的照明
- 理科試驗觀察用的照明

Options 顧客自選

- Shutter Unit 開閉器
- **USW-2E24V** (Refer to P.32) (參照32頁)
- 8 bit轉換器 **DA-8U** Converter Unit Internal Version Available 也可以內部組裝

8 bit External Connection 8位外置接頭排列



Specifications 規格

LA-100USW	
Power supply 輸入電壓	AC100~240V
Rated frequency 頻率	50 / 60Hz
Power consumption 耗電量	130W (100W bulb 燈泡) 75W (50W bulb 燈泡) ※4
Adaptable lamp type 燈泡	JCR12V100WH10 Color Temp. 色溫: 3100K ※1. Average life 平均壽命: 1000(H)小時 ※2. Average intensity 平均亮度: 500,000 lx (光源內燈泡為最大額定負荷時)
Lighting type 亮燈方式	直流型 DC
Stable intensity 光亮穩定性	Input voltage variation ±10%, lamp intensity stability ±0.3% (lamp in good condition) 輸入電壓變化±10%時，亮度變化為±0.3% (燈泡劣化除外)
Light intensity adjustment 光亮調節	Output voltage adjustment range DC3V-12V Lighting adjustment range 2%~100% 電壓可變範圍: DC3V~12V 光亮可變範圍: 2%~100%
Protection circuit 保護功能	Overload circuit: Auto recovery (Auto restart) 超電流保護回路: 下垂型(自動恢復型) Overheat circuit: Auto shut down and auto recovery (Restart by power on again) 過熱保護回路: 輸出切斷型(再接通電源時即可恢復型)
Cooling method 冷卻方式	Forced air cooler 強冷風扇
Optical filter 內藏過濾片	Thermal insulated filter 熱線吸收過濾片
Condition of temp. for operation 使用環境溫度	0℃~+40℃ / 20%~80%RH (Non-moisture) (無結露)
Remote functions 程控功能	1) Lamp on/off 燈泡ON / OFF 2) Light intensity remote control function (Control voltage: DC 0V~+5VMAX)※3 光亮調節程控功能(控制電壓為DC 0V~+5VMAX)※3 3) Lamp burn-out detect function (LED) Outputs a lamp burn-out signal when the lamp is burn-out 燈泡燒斷檢測功能(監視LED顯示燈)燈泡燒斷、燈泡未裝時輸出燈泡燒斷信號
Dimensions 尺寸(mm)	H115×W74×D233 (Exposed item not include) (凸起部位除外)
Weight 重量(kg)	2.0 kg

- ※ 1. Average lamp life is calculated from test results and is not guaranteed. 燈泡壽命為實測值，並非保證值
- ※ 2. Intensity of illumination is measured by Φ 5mm light guide, L=500 mm and W.D. in 15 mm
光度的測試方法為使用光纖束直徑Φ 5mm，長度500mm，測試點到投光部距離15mm
- ※ 3. Lamp supply voltage below 3V, the bulb blown seized detection function can not be started.
燈泡的供給電壓在3V以下時，燈泡燒斷檢測功能無法啟動。
- ※ 4. 50W bulb installation choice for customers 50W 燈泡的安裝為客戶自選

Analog DCOV-5V External Connection Analog DCOV-5V 外置接頭排列

